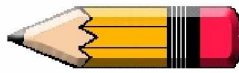


Die 10 ist gar nicht schwer!

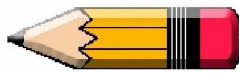


10

10	
9	
8	
7	
6	
5	
4	
3	
2	
1	
0	

10

	10
	9
	8
	7
	6
	5
	4
	3
	2
	1
	0



10

10	
	1
8	
	3
6	
	5
4	
	7
2	
	9
0	

10

	0
9	
	2
7	
	4
5	
	6
3	
	8
1	
	10

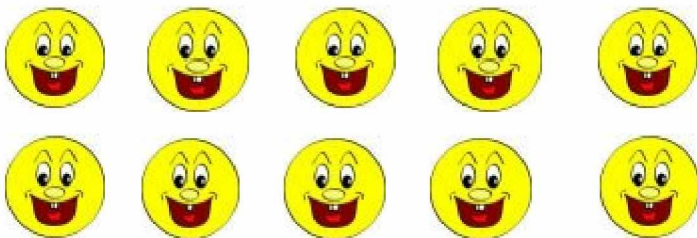
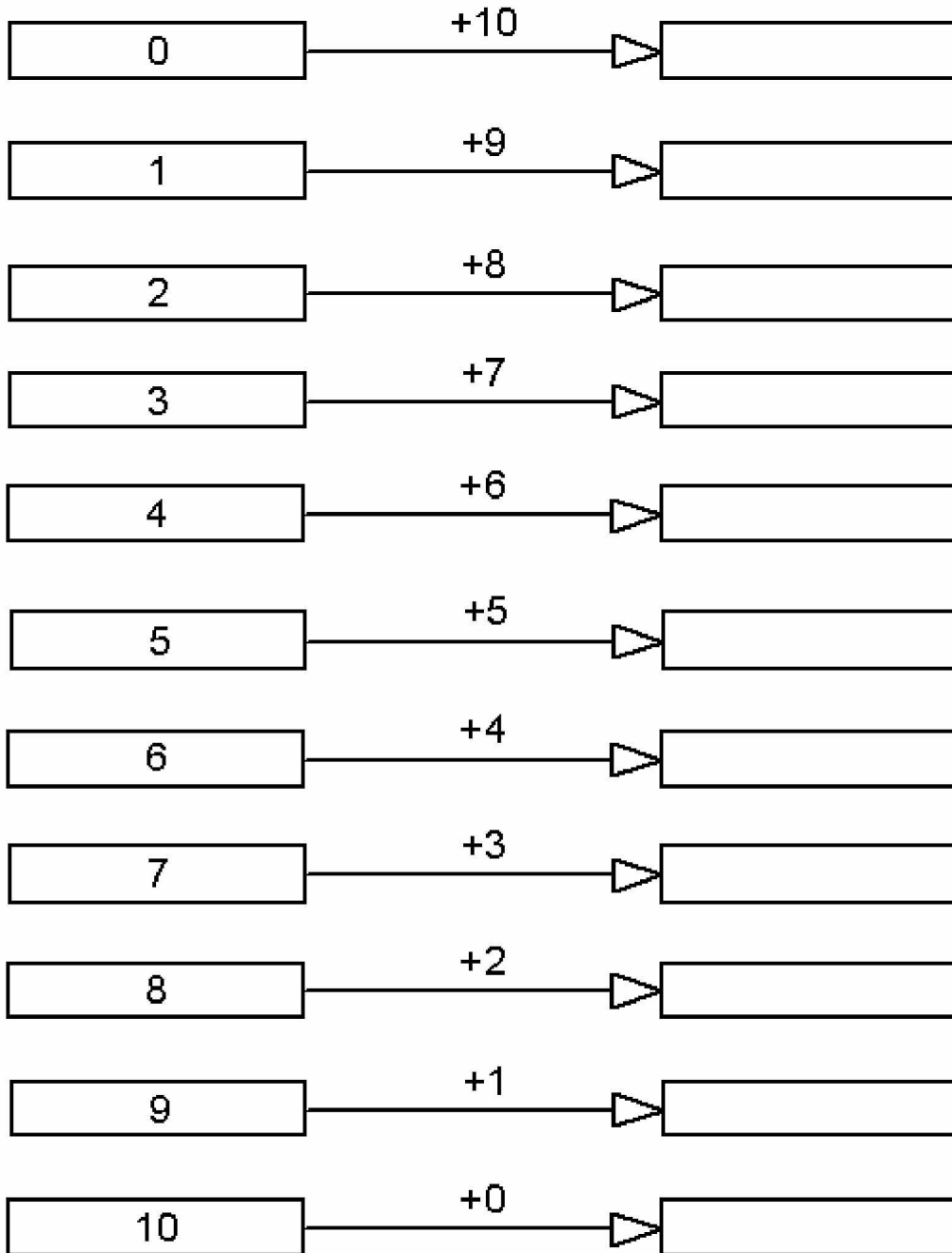
	0	+	1	0	=		
	1	+		9	=		
	2	+		8	=		
	3	+		7	=		
	4	+		6	=		
	5	+		5	=		
	6	+		4	=		
	7	+		3	=		
	8	+		2	=		
	9	+		1	=		
1	0	+		0	=		

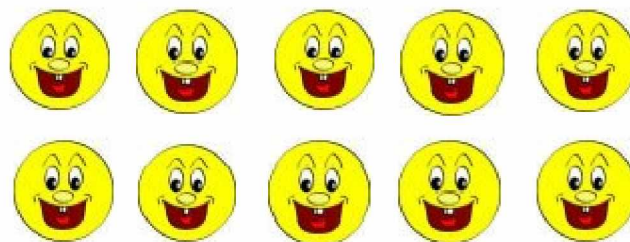
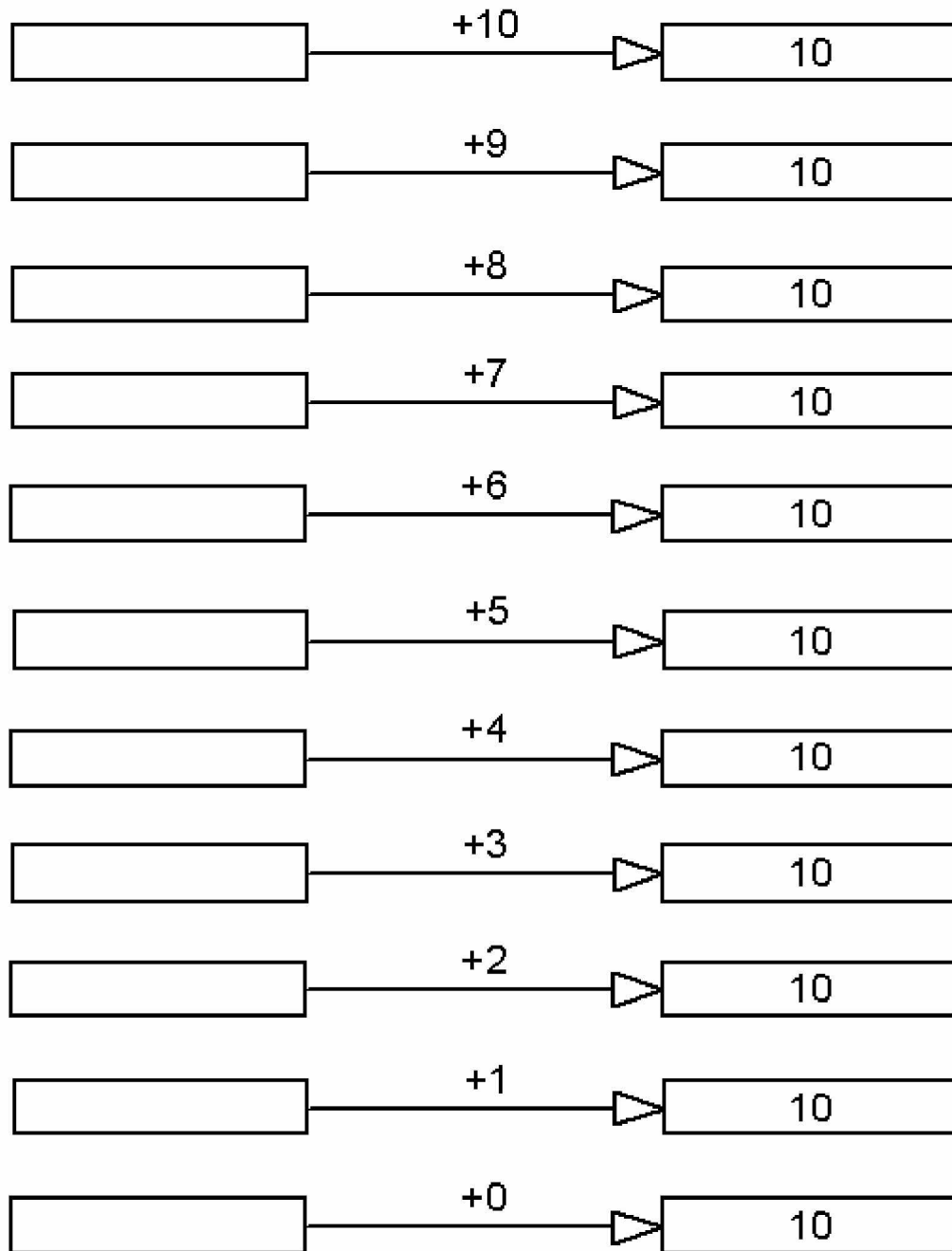
1	0	+		0	=		
	9	+		1	=		
	8	+		2	=		
	7	+		3	=		
	6	+		4	=		
	5	+		5	=		
	4	+		6	=		
	3	+		7	=		
	2	+		8	=		
	1	+		9	=		
	0	+	1	0	=	1	0

	0	+	1	0	=	1	0
	1	+			=	1	0
	2	+			=	1	0
	3	+			=	1	0
	4	+			=	1	0
	5	+			=	1	0
	6	+			=	1	0
	7	+			=	1	0
	8	+			=	1	0
	9	+			=	1	0
1	0	+			=	1	0

1	0	+		0	=	1	0
		+		1	=	1	0
		+		2	=	1	0
		+		3	=	1	0
		+		4	=	1	0
		+		5	=	1	0
		+		6	=	1	0
		+		7	=	1	0
		+		8	=	1	0
		+		9	=	1	0
		+	1	0	=	1	0







Rechne aus und schreibe die Tauschaufgabe daneben!



7	+	3	=	10	3	+	7	=	10
3	+	7	=						
5	+	5	=						
4	+	6	=						
2	+	8	=						
1	+	9	=						
3	+	7	=						
6	+	4	=						
9	+	1	=						
8	+	2	=						
10	+	0	=						



Rechne aus!



7	+		=	10
3	+		=	10
5	+		=	10
4	+		=	10
2	+		=	10
1	+		=	10
3	+		=	10
6	+		=	10
9	+		=	10
8	+		=	10
10	+		=	10

		+	3	=	10
		+	7	=	10
		+	5	=	10
		+	6	=	10
		+	8	=	10
		+	9	=	10
		+	7	=	10
		+	4	=	10
		+	1	=	10
		+	2	=	10
		+	0	=	10

